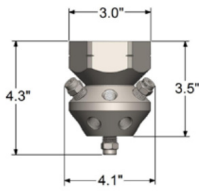


Other Types of Nozzles and Accessories – Tank Cleaning



TYPICAL APPLICATIONS:

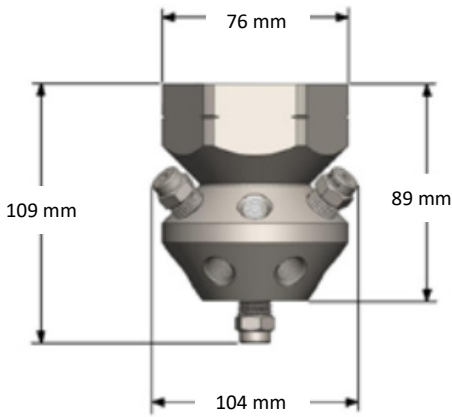
This assembly is suitable for a variety of tank washing applications where the maximum tank diameter is no greater than approximately 3 m. The assembly will pass through a tank opening of at least 10.5 cm in diameter.

SPRAY CHARACTERISTICS:

This unit provides a fixed, non-rotating spray pattern. The assembly body has 13 individual female NPT nozzle connections which are designed to accept full cone nozzles. For best results, select 'S' series full cone spray nozzles from page 30. A wide variety of flow rates are available. A few standard combinations are listed in the table below.

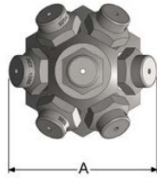
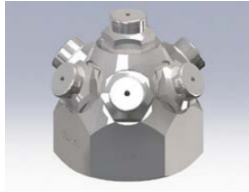
CONSTRUCTION:

The assembly is available in brass, 303 and 316 stainless steel. A 1 1/2" female BSPT connection attaches to the supply line. Maximum recommended operating pressure is 4 bar.



Full Cone Spray Nozzles		CAPACITY (L/min) AT VARIOUS PRESSURES (bar)						
ONE PIECE BODY REMOVABLE INSERT	TWO PIECE BODY REMOVABLE INSERT	0.7 bar	1.5 bar	2 bar	3 bar	4 bar	5 bar	6 bar
11/2TWA1/4S5	11/2TWA1/4GS5	24.8	36	42	51	59	66	73
11/2TWA1/4S10	11/2TWA1/4GS10	50	73	84	103	119	132	145
11/2TWA3/8S15	11/2TWA3/8GS15	76	112	129	158	182	204	223
11/2TWA3/8S22	11/2TWA3/8GS22	111	162	187	229	264	296	324

Other Types of Nozzles and Accessories – Tank Cleaning



PRODUCT DESCRIPTION:

The M7S series cluster nozzle uses an array of seven (7) GS style full-cone spray nozzle caps mounted on a cluster nozzle body to produce a full-cone spray. Multiple full-cone spray nozzle caps produce a relatively small droplet size for large flow rates and are less susceptible to clogging. Nozzle caps are easily removed for cleaning or nozzle change-out.

CONSTRUCTION:

Standard cluster nozzle body and cap materials are brass, 303 stainless steel and 316 stainless steel. Other body and cap materials are available upon request.

U.S. Patent No. 4,142,682

Canadian Patent No. 1,050,589

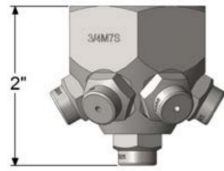
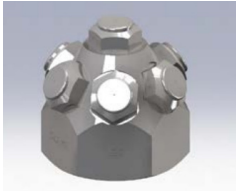
TYPICAL APPLICATIONS:

- Chemical Processing
- Cooling Spray
- Stack Gas Scrubbers

MODEL NUMBER	Thread Size	Nozzle Cap Model	CAPACITY (L/min) AT VARIOUS PRESSURES (bar)						
			1.5 bar	3 bar	4 bar	5 bar	6 bar	8 bar	10 bar
3/4M7S1	3/4"	1/8GS1	3.90	5.50	6.40	7.10	7.80	9.00	10.1
3/4M7S1.5	3/4"	1/8GS1.5	5.90	8.30	9.60	10.7	11.7	13.5	15.1
3/4M7S2	3/4"	1/8GS2	7.80	11.1	12.8	14.3	15.6	18.0	20.2
3/4M7S3	3/4"	1/8GS3	11.7	16.6	19.1	21.4	23.4	27.1	30.3
3/4M7S3.5	3/4"	1/8GS3.5	13.7	19.3	22.3	25.0	27.4	32.0	35.0
3/4M7S5	3/4"	1/8GS5	19.5	27.6	32.0	36.0	39.0	45.0	50.0
3/4M7S6	3/4"	1/8GS6	27.4	39.0	45.0	50.0	55.0	63.0	71.0
1M7S6.5	1"	1/4GS6.5	25.0	36.0	41.0	46.0	51.0	59.0	66.0
1M7S7.5	1"	1/4GS7.5	29.0	41.0	48.0	54.0	59.0	68.0	76.0
1M7S10	1"	1/4GS10	39.0	55.0	64.0	71.0	78.0	90.0	101
11/2M7S9.5	11/2"	3/8GS9.5	37.0	52.0	61.0	68.0	74.0	86.0	96.0
11/2M7S15	11/2"	3/8GS15	59.0	83.0	96.0	107	117	135	151
11/2M7S16	11/2"	1/2GS16	63.0	88.0	102	114	125	144	161
11/2M7S20	11/2"	3/8GS20	78.0	111	128	143	156	180	202
11/2M7S22	11/2"	3/8GS22	86.0	122	140	157	172	199	222
11/2M7S25	11/2"	1/2GS25	98.0	138	160	178	195	226	252
11/2M7S32	11/2"	1/2GS32	125	177	204	228	250	289	323
11/2M7S40	11/2"	1/2GS40	156	221	255	285	313	361	404

Model	Dim. A (mm)	Dim. L (mm)
3/4M7S	61	53
1M7S	73	64
11/2M7S	104	86

Other Types of Nozzles and Accessories – Tank Cleaning



PRODUCT DESCRIPTION:

The M7C series cluster nozzles uses an array of seven (7) hollow cone C-series hydraulic atomizing nozzle caps mounted on a cluster nozzle body to produce a radially oriented array of hollow cone sprays. Multiple hydraulic atomizing spray nozzle caps produce a small droplet size with a higher flow rate and larger distribution than a single nozzle assembly. Nozzle caps are easily removed for nozzle change-out.

CONSTRUCTION:

Standard cluster nozzle body and cap materials are brass, 303 stainless steel and 316 stainless steel. Other body and cap materials are available upon request.

TYPICAL APPLICATIONS:

- Chemical Processing
- Cooling Spray
- Stack Gas Scrubbers



BEX Model	CAPACITY (L/min) AT VARIOUS PRESSURES (bar)								
	2 bar	3 bar	5 bar	7 bar	15 bar	20 bar	35 bar	50 bar	70 bar
1M7C1.9	13.40	16.19	20.90	24.79	36.32	42.06	55.69	66.66	78.57
1M7C2.4	16.75	20.53	26.67	31.28	46.19	53.23	70.18	83.99	99.55
1M7C3.0	20.84	25.66	33.16	39.29	57.64	66.26	87.73	105.18	125.87
1M7C3.8	26.43	32.77	42.17	49.97	73.04	84.12	111.37	134.85	156.38
1M7C4.7	32.76	40.27	51.90	61.41	90.02	104.22	137.31	165.67	194.52
1M7C5.9	41.32	50.54	65.23	77.43	113.31	130.28	171.64	208.06	244.11
1M7C7.4	51.74	63.56	81.81	96.88	142.13	163.78	217.41	258.14	305.13
1M7C9.2	64.40	78.96	101.99	120.53	177.66	204.72	270.81	323.64	381.42
1M7C12	84.12	103.04	133.35	156.38	228.99	264.28	350.90	419.97	495.84
1M7C14	97.90	120.02	154.97	183.08	268.47	308.95	411.93	489.32	579.76
1M7C18	126.56	153.97	198.22	236.48	343.48	398.28	526.36	631.88	743.77
1M7C23	160.06	197.40	255.89	301.32	442.18	509.95	675.11	805.26	953.55
1M7C28	197.28	240.83	309.95	366.16	536.94	621.62	820.05	978.64	1159.51
1M7C35	245.67	300.05	389.24	457.70	671.17	774.23	1026.01	1225.22	1449.39
1M7C44	308.95	379.01	486.55	575.94	844.88	975.23	1289.19	1541.16	1823.18
1M7C55	383.39	469.82	609.09	720.88	1054.13	1217.18	1609.58	1926.45	2277.07
1M7C69	483.89	592.21	764.06	903.96	1322.60	1526.13	2021.52	2415.77	2856.82
1M7C86	603.01	738.29	951.47	1125.18	1650.29	1905.80	2517.36	3009.12	3562.44